

NARRATIVE:

THE PURPOSE OF THIS SURVEY IS TO FIND AND OR SET THE CORNERS OF THAT TRACT OF LAND WHICH IS DESCRIBED IN A DEED TO BEASLY RECORDED ON REEL 30, PAGE 700, UMATILLA COUNTY DEED RECORDS SO A FENCE CAN BE BUILT. I SURVEYED THIS PARCEL IN A 1977 SURVEY FOR O.R.C.O.. IN 1989 AREA ONE COUNTY SURVEY I CHANGED THE SE CORNER OF THIS SECTION WHICH CHANGED THE SECTION BREAKDOWN TO BETTER MATCH EXISTING IMPROVEMENTS. IN PARTITION PLAT 1994-24 I SURVEYED THE PROPERTY TO THE SOUTH AND WEST OF THIS TRACT BUT HELD THE MONUMENTS WHICH I SET IN 1977 FOR THE WEST LINE OF THIS TRACT. I SET A REVISED CORNER AT THE SE CORNER OF THIS TRACT IN THAT SURVEY. IN THIS SURVEY I SET A NEW CORNER AT THE NE CORNER OF THIS TRACT. MY 1977 MONUMENT HAD BEEN MOVED AND LIES A FEW TENTHS NE OF THE CORNER I SET.

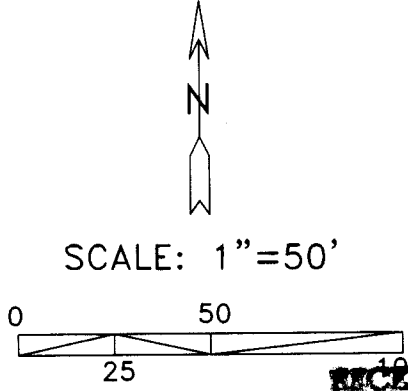
REGISTERED
PROFESSIONAL
LAND SURVEYOR

G. Dennis Edwards

OREGON
JULY 16, 1971
G. DENNIS EDWARDS
9 5 1
RENEWS 12/31/2001

LEGEND:

- FND. 1/2" IRON REBAR, ME 1977 SURVEY FOR O.R.C.O.
- ⊙ 5/8" IRON REBAR SET BY ME, PARTION PLAT 1999-24
- SET 5/8"X30" IRON REBAR WITH PLASTIC CAP #951



PARCEL 2
PARTITION PLAT
1994-24

OLD FENCE
LINE

N-S C
SW 1/4,
SEC. 13

N-S C
SW 1/4,
SEC. 13

SURVEY FOR STAN BAKER, C/O HOLT REALTY
IN SW 1/4, SEC. 13, T 5 N, R 27 E,
W.M., UMATILLA COUNTY, OREGON
6/3/2000 JOB# S0006117
EDWARDS SURVEYING P.O. BOX 763
541-567-3336 HERMISTON, OREGON 97838
DRAWN BY NJF

RECEIVED BY
Umatilla County Surveyor

Date 9-00
Rec'd By KR
No. 00-188-A

00-188-A